

# BERT FRANK

## SPATE WALL LIGHT

### MAINTENANCE

- Lacquered brass should be wiped with a soft duster.
- Opal glass should be gently cleaned with a suitable glass cleaner and a clean, lint free cloth.
- Do not clean with any other liquid, chemical or abrasive cleaners.
- All electrical work must be conducted by a qualified electrician.

### TECHNICAL

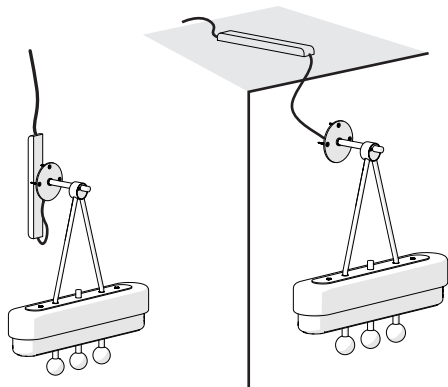
- 2x LED ribbon 24V 2700K
- 1x LED Driver supplied - 30W 24V constant voltage

www.berfrank.co.uk  
+44 (0)207 164 6482

### INSTRUCTION

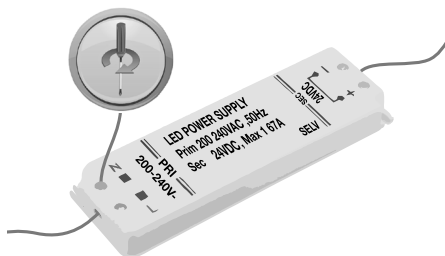
1

- Consider position of wall light.
- Consider driver position where suitable.
- Eg. in wall or ceiling cavity.



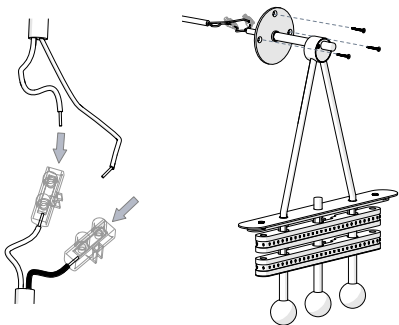
2

- Wire driver with mains power in, DC power out and insert into desired position.
- Electrical work must be conducted by a qualified electrician.



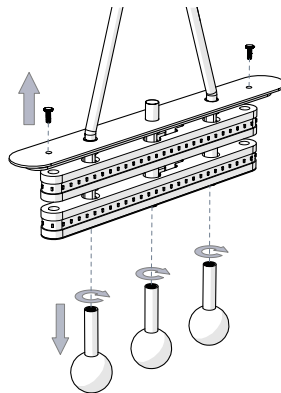
3

- Make electrical connection to DC power.
- Mount fixture to wall using suitable countersunk screws.
- Fixings not supplied
- Electrical work must be conducted by a qualified electrician. Connectors not supplied.
- **DO NOT CONNECT FIXTURE TO MAINS POWER.**

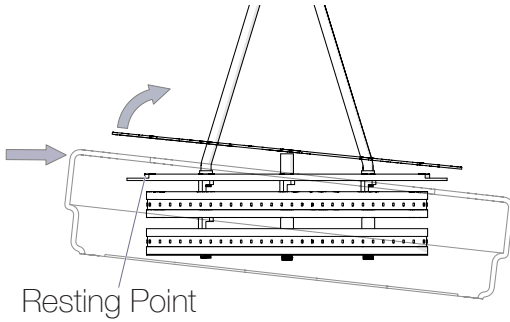


4

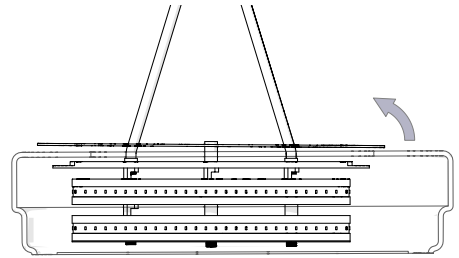
- Remove 2x screws in top of fixture, as well as marble orbs and rods from bottom of fixture.



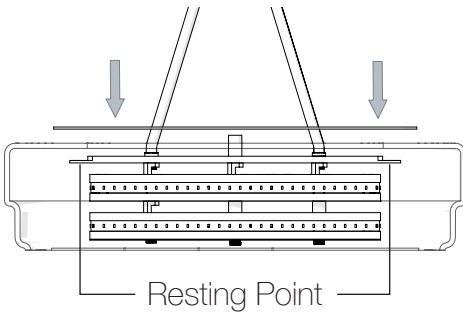
- 5 - To attach glass shade, gently raise one side of brass top plate, slide glass shade around fixture and insert one side of shade under brass plate, past it's resting point.



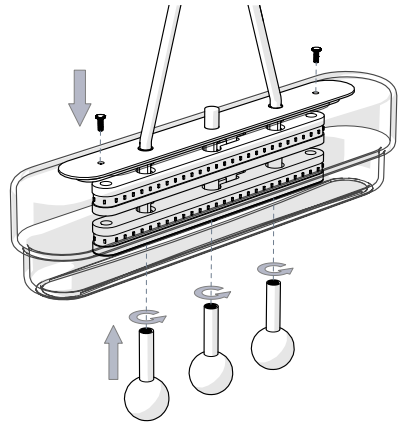
- 6 - Raise opposite end of glass shade up and under brass plate.



- 7 - Carefully rest shade onto aluminium mounting plate, ensuring it sits flat and in-line with resting points.  
- Rest brass plate down onto of glass shade.



- 8 - Replace 2x screws into top of fixture and tighten gently, marble orbs and rods to bottom of fixture.



This product is only suitable for connection to the native power supply to which the unit was specifically manufactured. It is for indoor use only, and not suitable for a bathroom location.

If the Class II, double insulated symbol is on the lamp, it does not require an Earth, and Live or Neutral must not be connected to Earth. If there is no such symbol, then the lamp must be Earthed.

Under no circumstances must this lamp be covered with any material as this could pose a safety hazard. It must be used on a stable, flat surface.

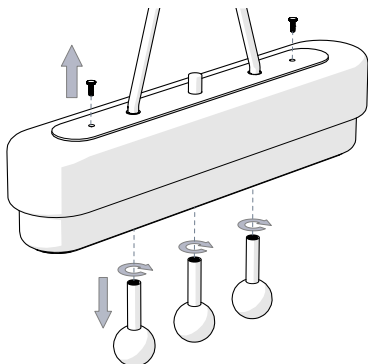
Do not connect this lamp directly to mains power. If the mains cable becomes damaged it must only be replaced by a technically competent, qualified person.

Allow 10 minutes to cool before replacing, adjusting or cleaning. Do not use unspecified liquid, chemical or abrasive cleaners on this product.

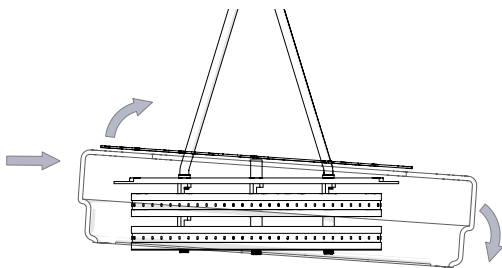
If you are in any doubt about your competence please consult a qualified electrician. If any modification is made it will invalidate the warranty and may render the product unsafe.

# LED 'BULB' REPLACEMENT INSTRUCTION

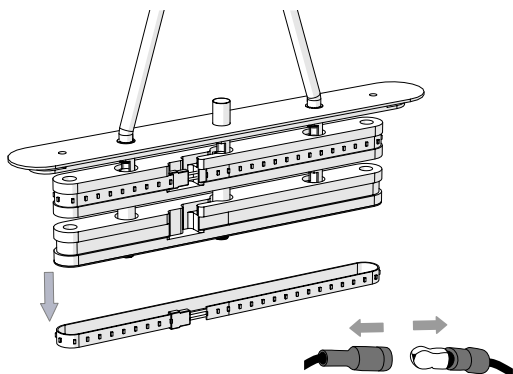
- 1 - Remove 2x screws in top of fixture, as well as marble orbs and rods from bottom of fixture.



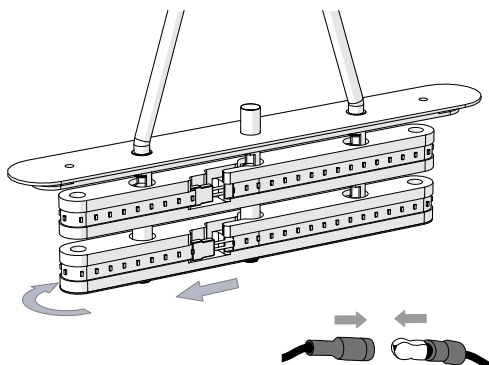
- 2 - Remove glass shade by raising one end of glass and brass plate, sliding opposite end off mounting plate, then entire glass shade down assembly.



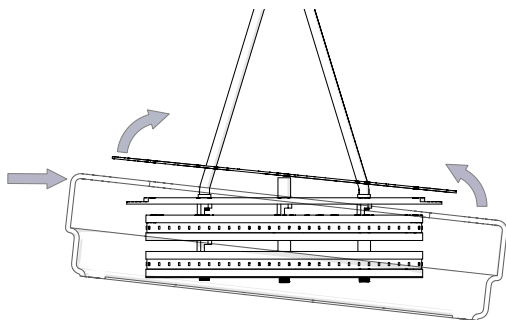
- 3 - Disconnect electrical connectors and remove unwanted LED tape by carefully peeling off aluminium mounting block.



- 4 - Connect new LED tape using electrical connectors. Starting at connection end, peel back and lay LED tape inside groove on aluminium mounting block. Keeping it straight and flat, lay until ends meet.



- 5 - Replace glass shade by lifting one end in first, past it's resting point, then opposite end, as per installation instructions.



- 6 - Replace 2x screws into top of fixture and tighten gently, marble orbs and rods to bottom of fixture.

